

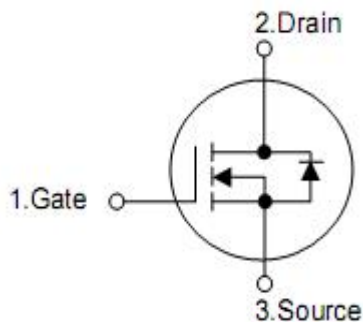
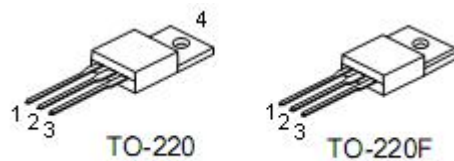
## 1. General Features

- Proprietary New Planar Technology
- $R_{DS(ON),typ.}=0.35\Omega@V_{GS}=10V$
- Low Gate Charge Minimize Switching Loss
- Fast Recovery Body Diode

## 2. Applications

- CRT,TV/Monitor
- Other Applications

## 3. Pin configuration



Pin	Function
1	Gate
2	Drain
3	Source
4	Drain

## 4. Ordering Information

Part Number	Package	Brand
KNP7160A	TO-220	KIA
KNF7160A	TO-220F	KIA

## 5. Absolute maximum ratings

(T<sub>c</sub>= 25 °C , unless otherwise specified)

Symbol	Parameter	KNP7160A	KNF7160A	Unit
V <sub>DSS</sub>	Drain-to-Source Voltage <sup>[1]</sup>	600		V
V <sub>GSS</sub>	Gate-to-Source Voltage	±30		
I <sub>D</sub>	Continuous Drain Current	20		A
	Continuous Drain Current@ T <sub>c</sub> =100 °C	Figure3		
I <sub>DM</sub>	Pulsed Drain Current at V <sub>GS</sub> =10V <sup>[2]</sup>	Figure6		
E <sub>AS</sub>	Single Pulse Avalanche Energy	1000		mJ
dv /dt	Peak Diode Recovery dv/dt <sup>[3]</sup>	5.0		V/ns
P <sub>D</sub>	Power Dissipation	250	60	W
	Derating Factor above 25 °C	2.0	0.48	W/ °C
T <sub>L</sub> T <sub>PAK</sub>	Maximum Temperature for Soldering Leads at 0.063 in (1.6mm) from Case for 10 seconds, Package Body for 10 seconds	300 260		°C
T <sub>J</sub> &T <sub>STG</sub>	Operating and Storage Temperature Range	-55 to 150		

*Caution: Stresses greater than those listed in the “Absolute Maximum Ratings” may cause permanent damage to the device.*

## 6. Thermal characteristics

Symbol	Parameter	KNP7160A	KNF7160A	Unit
R <sub>θJC</sub>	Thermal Resistance, Junction-to-Case	0.5	2.08	°C /W
R <sub>θJA</sub>	Thermal Resistance, Junction-to-Ambient	62	100	

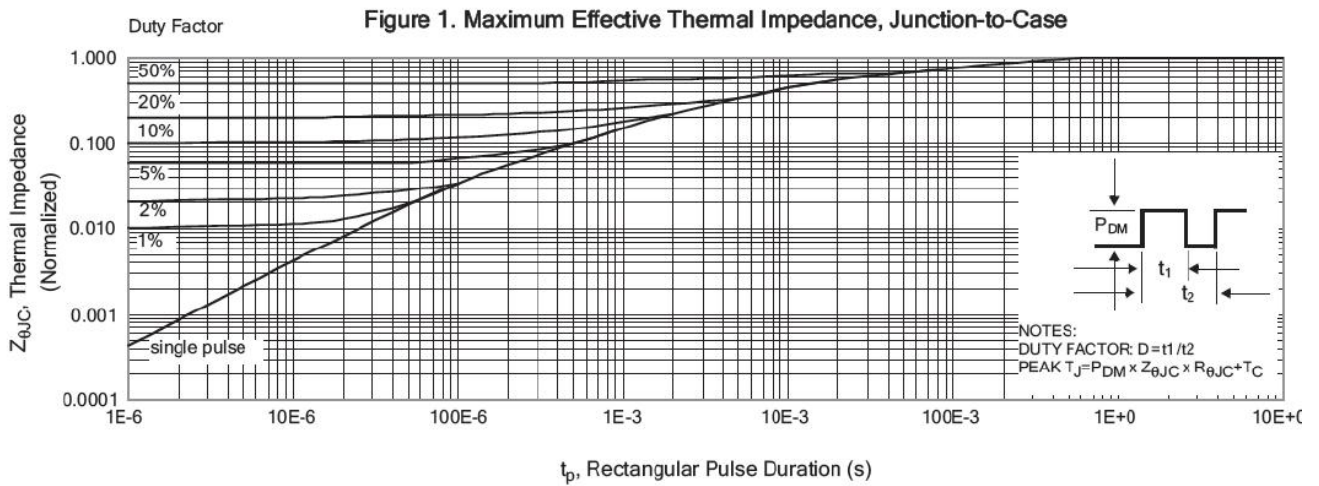
## 6. Electrical characteristics

OFF Characteristics		(T <sub>J</sub> =25°C, unless otherwise specified)				
Symbol	Parameter	Test Conditions	Min.	Typ.	Max.	Unit
B <sub>V</sub> DSS	Drain-to-Source Breakdown Voltage	V <sub>GS</sub> =0V, I <sub>D</sub> =250uA	600	--	--	V
I <sub>DSS</sub>	Drain-to-Source Leakage Current	V <sub>DS</sub> =48V, V <sub>GS</sub> =0V	--	--	1	uA
		V <sub>DS</sub> =600V, V <sub>GS</sub> =0V, T <sub>J</sub> =125°C	--	--	100	
I <sub>GSS</sub>	Gate-to-Source Leakage Current	V <sub>GS</sub> =+30V, V <sub>DS</sub> =0V	--	--	+100	nA
		V <sub>GS</sub> =-30V, V <sub>DS</sub> =0V	--	--	-100	
ON Characteristics		(T <sub>J</sub> =25°C, unless otherwise specified)				
Symbol	Parameter	Test Conditions	Min.	Typ.	Max.	Unit
R <sub>DS(ON)</sub>	Static Drain-to-Source On-Resistance <sup>[4]</sup>	V <sub>GS</sub> =10V, I <sub>D</sub> =10A	--	0.35	0.45	Ω
V <sub>GS(TH)</sub>	Gate Threshold Voltage	V <sub>DS</sub> =V <sub>GS</sub> , I <sub>D</sub> =250uA	2.0	--	4.0	V
g <sub>FS</sub>	Forward Transconductance <sup>[4]</sup>	V <sub>DS</sub> =15V, I <sub>D</sub> =10A	--	15	--	S
Dynamic Characteristics		Essentially independent of operating temperature				
Symbol	Parameter	Test Conditions	Min.	Typ.	Max.	Unit
C <sub>iss</sub>	Input Capacitance	V <sub>GS</sub> =0V, V <sub>DS</sub> =25V, f=1.0MHZ	--	2800	--	pF
C <sub>rss</sub>	Reverse Transfer Capacitance		--	20	--	
C <sub>oss</sub>	Output Capacitance		--	249	--	
Q <sub>g</sub>	Total Gate Charge	V <sub>DD</sub> =300V, I <sub>D</sub> =20A, V <sub>GS</sub> =0 to 10V	--	60	--	nC
Q <sub>gs</sub>	Gate-to-Source Charge		--	14	--	
Q <sub>gd</sub>	Gate-to-Drain (Miller) Charge		--	23	--	
Resistive Switching Characteristics		Essentially independent of operating temperature				
Symbol	Parameter	Test Conditions	Min.	Typ.	Max.	Unit
t <sub>d(ON)</sub>	Turn-on Delay Time	V <sub>DD</sub> =300V, I <sub>D</sub> =20A, V <sub>GS</sub> =10V, R <sub>G</sub> =25Ω	--	35	--	nS
t <sub>rise</sub>	Rise Time		--	72	--	
t <sub>d(OFF)</sub>	Turn-Off Delay Time		--	155	--	
t <sub>fall</sub>	Fall Time		--	70	--	
Source-Drain Body Diode Characteristics		(T <sub>J</sub> =25°C, unless otherwise specified)				
Symbol	Parameter	Test Conditions	Min.	Typ.	Max.	Unit
I <sub>SD</sub>	Continuous Source Current <sup>[4]</sup>	Integral PN-diode in MOSFET	--	--	20	A
I <sub>SM</sub>	Pulsed Source Current <sup>[4]</sup>		--	--	80	
V <sub>SD</sub>	Diode Forward Voltage	I <sub>S</sub> =20A, V <sub>GS</sub> =0V	--	--	1.5	V
t <sub>rr</sub>	Reverse recovery time	V <sub>GS</sub> =0V, I <sub>F</sub> =20A, diF/dt=100A/μs	--	400	--	ns
Q <sub>rr</sub>	Reverse recovery charge		--	3.0	--	uC

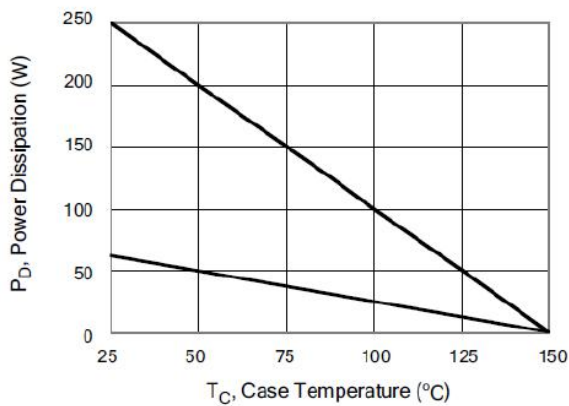
Note:

1. T<sub>J</sub>=+25°C to +150°C
2. Repetitive rating; pulse width limited by maximum junction temperature.
3. I<sub>SD</sub>=20A di/dt<100A/μs, V<sub>DD</sub><B<sub>V</sub>DSS, T<sub>J</sub>=+150°C.
4. Pulse width≤380μs; duty cycle≤2%.

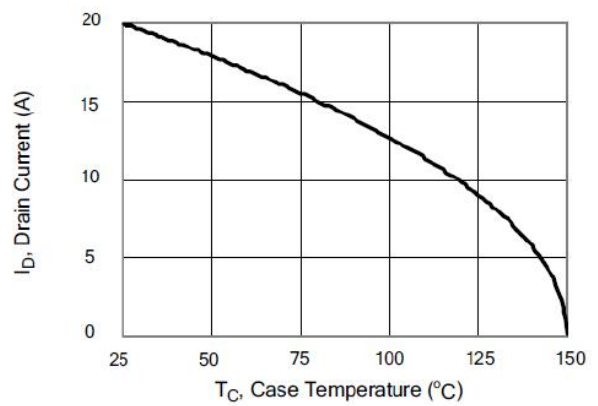
**7. Test circuits and waveforms**



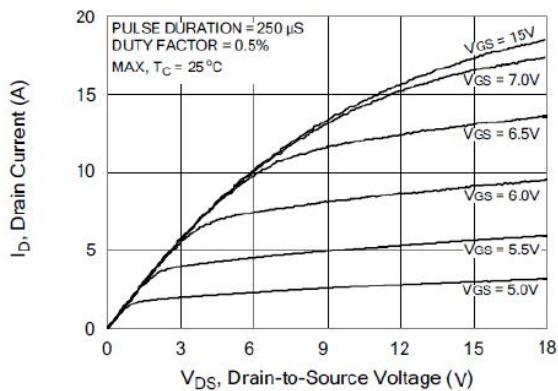
**Figure 2. Maximum Power Dissipation vs Case Temperature**



**Figure 3. Maximum Continuous Drain Current vs Case Temperature**



**Figure 4. Typical Output Characteristics**



**Figure 5. Typical Drain-to-Source ON Resistance vs Gate Voltage and Drain Current**

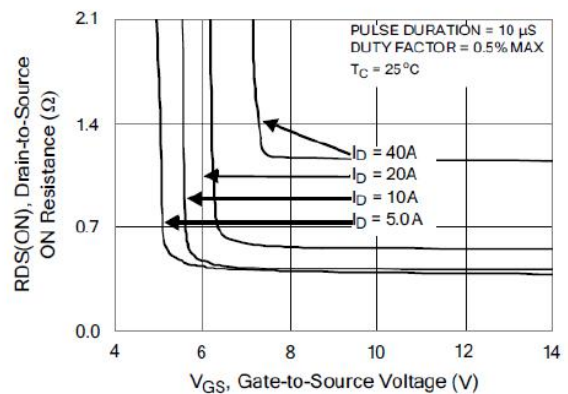


Figure 6. Maximum Peak Current Capability

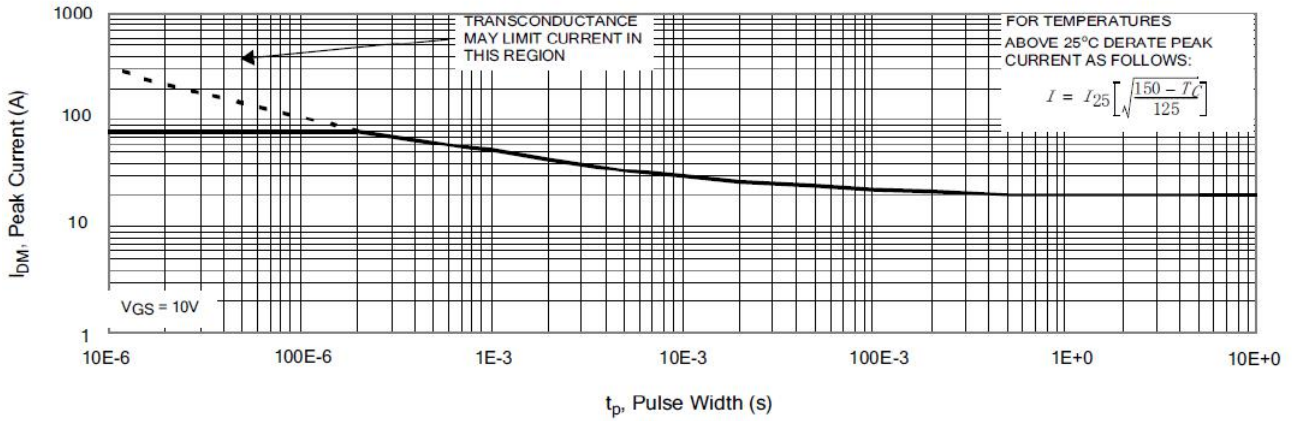


Figure 7. Typical Transfer Characteristics

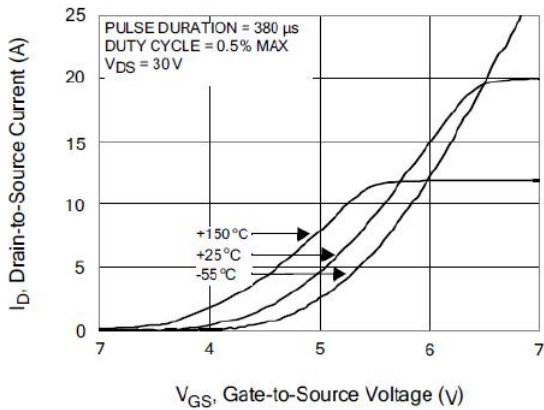


Figure 8. Unclamped Inductive Switching Capability

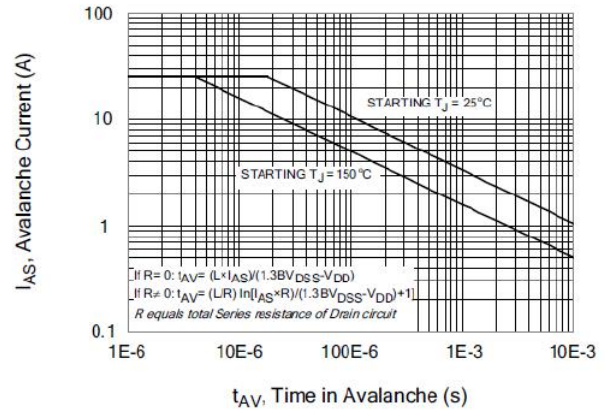


Figure 9. Typical Drain-to-Source ON Resistance vs Drain Current

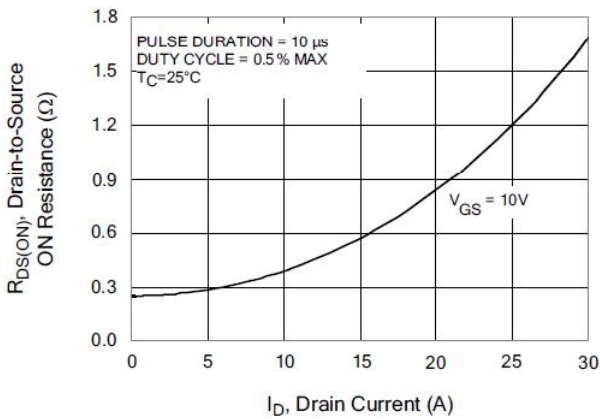
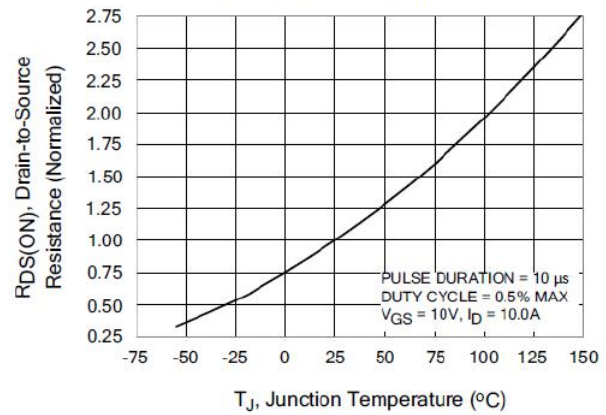
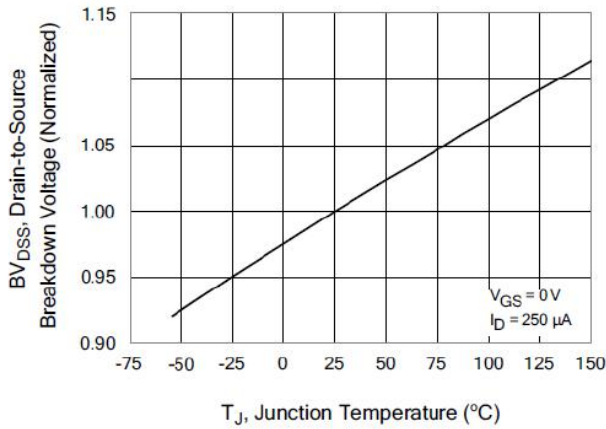


Figure 10. Typical Drain-to-Source ON Resistance vs Junction Temperature

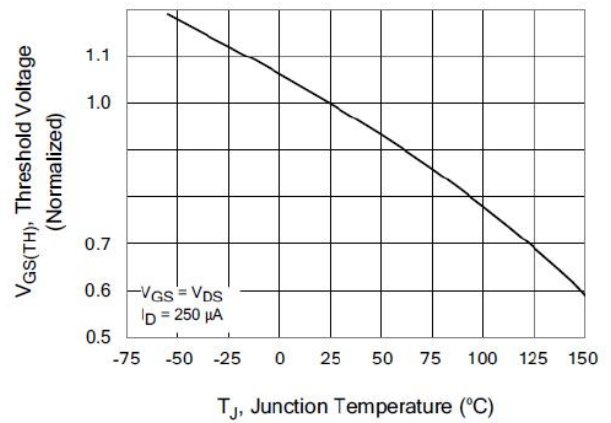




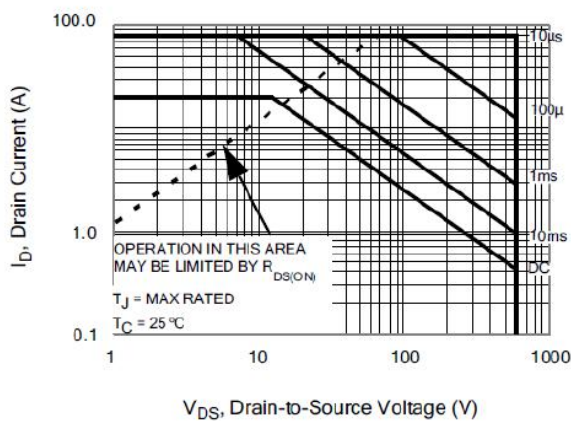
**Figure 11. Typical Breakdown Voltage vs Junction Temperature**



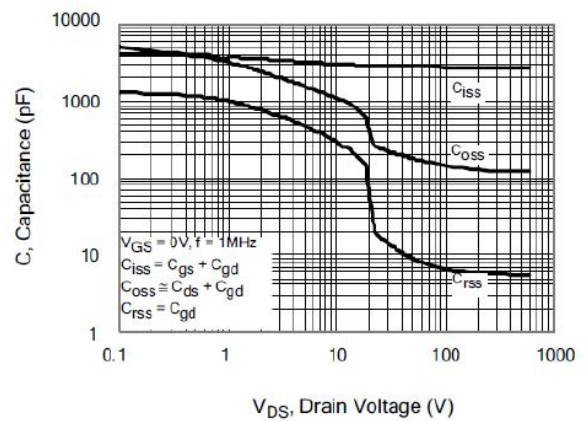
**Figure 12. Typical Threshold Voltage vs Junction Temperature**



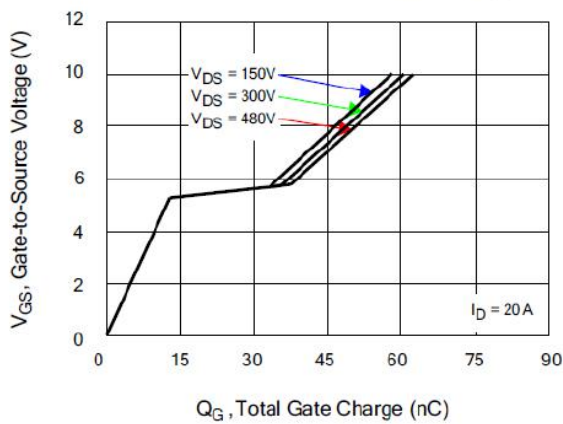
**Figure 13. Maximum Forward Bias Safe Operating Area**



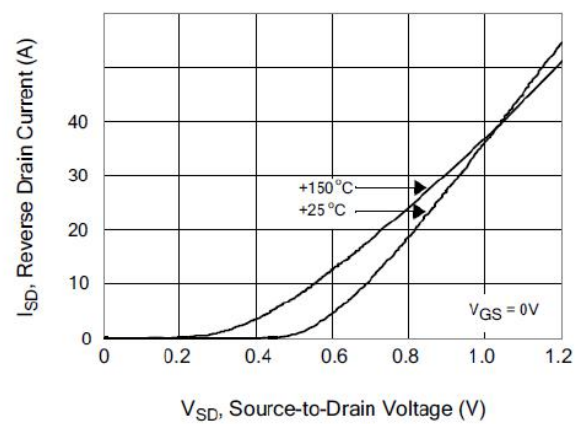
**Figure 14. Typical Capacitance vs Drain-to-Source Voltage**



**Figure 15. Typical Gate Charge vs Gate-to-Source Voltage**



**Figure 16. Typical Body Diode Transfer Characteristics**



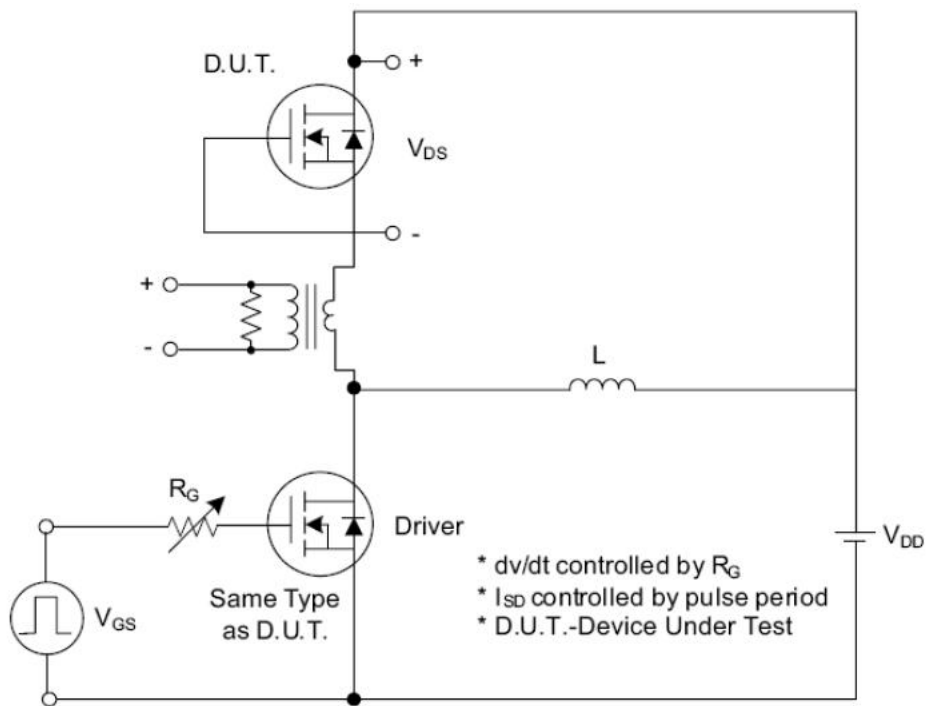


Fig. 1.1 Peak Diode Recovery  $dv/dt$  Test Circuit

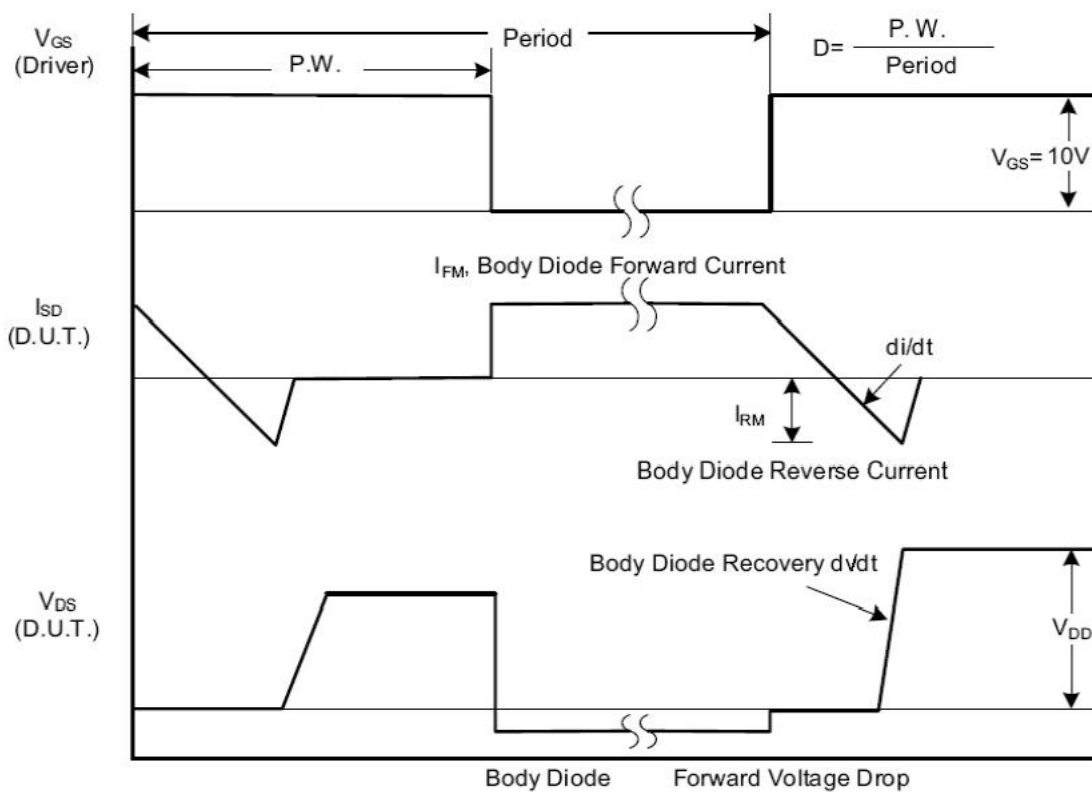


Fig. 1.2 Peak Diode Recovery  $dv/dt$  Waveforms

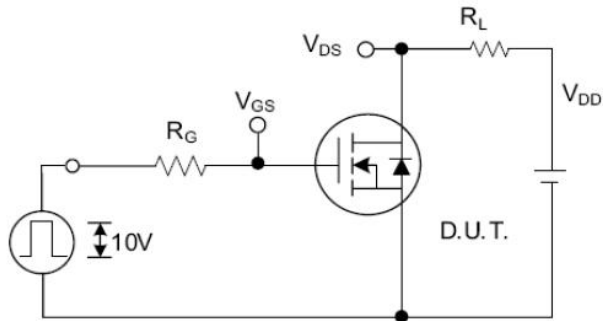


Fig. 2.1 Switching Test Circuit

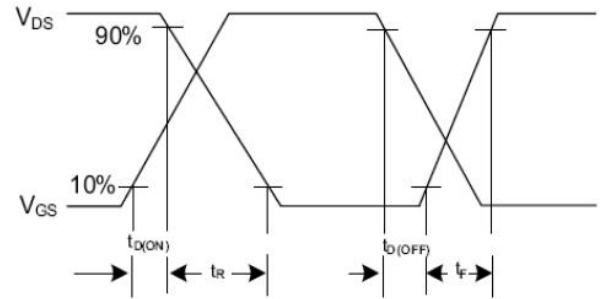


Fig. 2.2 Switching Waveforms

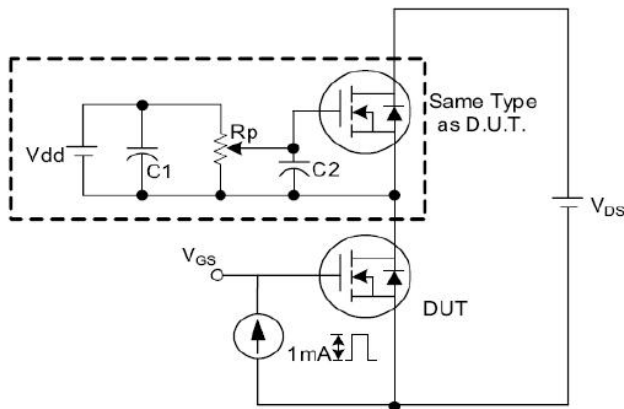


Fig. 3.1 Gate Charge Test Circuit

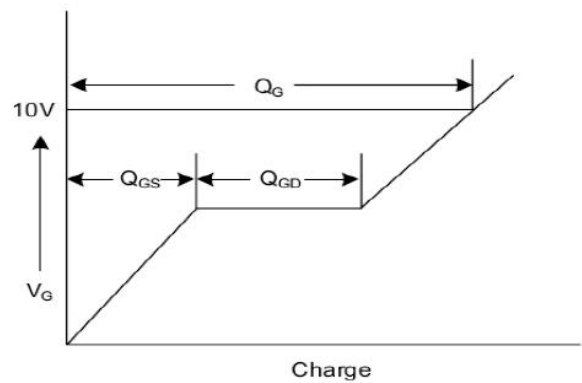


Fig. 3.2 Gate Charge Waveform

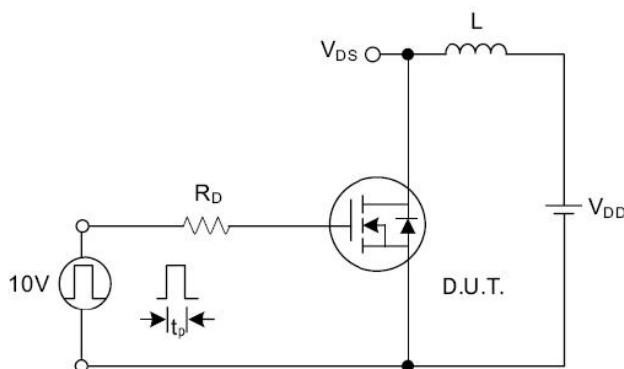


Fig. 4.1 Unclamped Inductive Switching Test Circuit

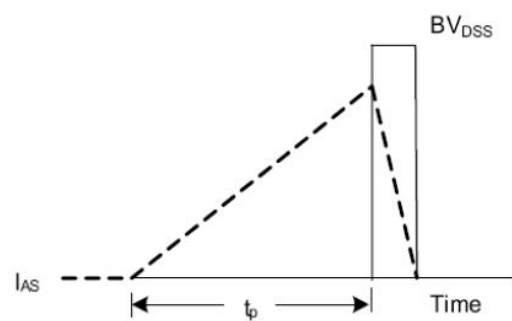


Fig. 4.2 Unclamped Inductive Switching Waveforms